

# **Address Supporting Organization - towards global address policy -**



**13 July, 2000**

**Takashi Arano**

**Vice Chair, Address Council  
(NTT Communications)**

# Internet Resources



⌘ Domain Names

⌘ Protocol Numbers

⌘ IP Addresses

☑ IPv4, IPv6

⌘ AS Numbers

⌘ DNS inverse lookup

☑ .in-addr.arpa, ip6.int

# 5 Conflicting Goals of Address Policy



⌘ Uniqueness

⌘ Registration

⌘ Aggregation

⌘ Conservation

⌘ Fairness

- in the APNIC policy documents

# Address Policy Scheme

## ⌘ Current Scheme is ...

- ⊞ Each registry serves for a certain region

  - ⊞ non profit organization

  - ⊞ only one registry for one geographical region

- ⊞ Hierarchical Registries Structure

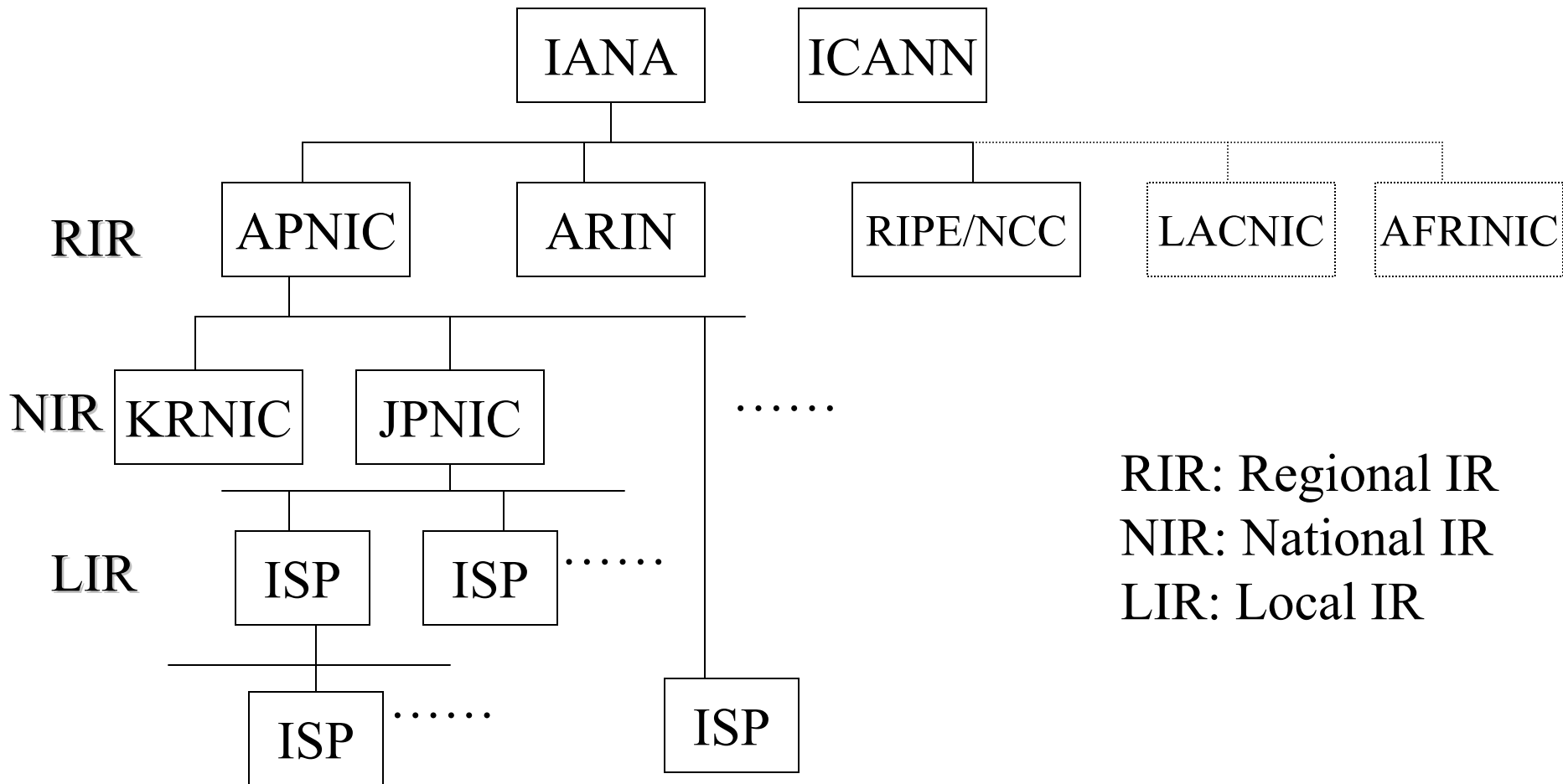
  - ⊞ A registry is responsible for the whole area

  - ⊞ The upper one checks performance of the lowers.

- ⊞ Registry allocates addresses based on demonstrated needs

## ⌘ This is only one feasible way...

# Registry Hierarchy



# Like Domain Names...



- ⌘ If registry function were open for any profit organizations...
  - ☑ Difficult to achieve fairness and conservation
- ⌘ If dispute policy were employed for fairness...
  - ☑ Dispute for the amount of addresses justified
  - ☑ Technically complicated and practically impossible
- ⌘ If new spaces were provided...
  - ☑ Yes , it's a reasonable solution!
  - ☑ Actually RIRs started IPv6 allocation services, but practically speaking, transition is not so easy.

# Issues



## ⌘ One Consistent Global Policy

- ☑ Regional policy are almost same but not consistent in certain points

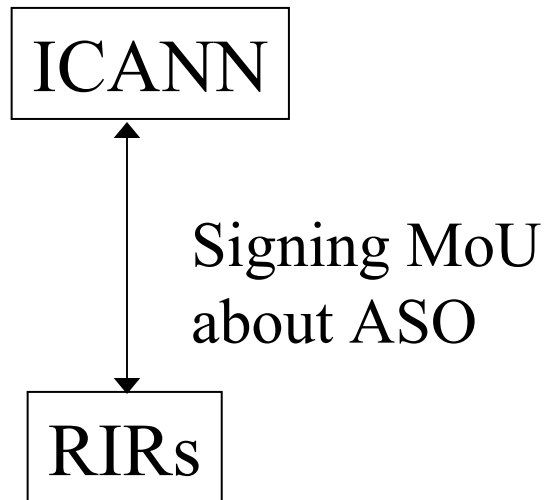
## ⌘ Open and Transparent Decision Processes

- ☑ policy development from various aspects, not only registries' view

## ⌘ Legal background of Address allocations

→ ICANN ASO

# ASO Background



## MoU

Purpose and Scope of ASO  
Composition of ASO  
Duties of the Address Council  
Annual Open Meeting  
(General Assembly)  
Relationship between individual  
RIRs and ICANN  
Appointments of ICANN directors  
Min. Req. of new RIRs



# ASO History



- ⌘ 1999-07 RIRs submitted a draft of MoU to ICANN
- ⌘ 1999-08-26 ICANN accepted proposal
- ⌘ 1999-10-18 MoU Signed
- ⌘ 1999-10-19 Complete address council selected
- ⌘ 1999-10-25 AC phone conf. Selection of Directors
- ⌘ 1999-11-02 AC opne meeting
- ⌘ 2000-05-19 the first ASO General Assembly at Budapest

# ASO Structure



## ⌘ Address Council (AC)

- ☑ 3 from each RIR (currently 9 members)
- ☑ 1 observer from each emerging RIR

## ⌘ General Assembly

- ☑ AC holds GA more than once a year
- ☑ Open for everyone

## ⌘ Secretariat

- ☑ RIR takes this duty one after the other in one year term

# Address Council's Role



## ⌘ Advisory Role

- ☑ advise the ICANN Board on matters about addresses

## ⌘ Policy Development

- ☑ global policy (v4, v6, AS, reverse lookup of DNS, etc...)

## ⌘ Appointment of three ICANN Board of Directors

# **AC appointments to the board**

<b>Name</b>	<b>Term (years)</b>	<b>Region</b>
Rob Blokzijl	3	Europe
Ken Fockler	2	Americas
Pindar Wong	1	Asia Pacific

A new board member replacing Pindar Wong is being elected now.

# How to elect Address Council



- ⌘ Each RIR selects 3 persons in an open and transparent way.
- ⌘ 3 year term (Initially 1, 2 and 3 years)

# Address Council members

Name	Term (years)	Appointed by
Takashi Arano, VC	3	APNIC region
Jianping Wu	2	APNIC region
Hyun Je Park	1	APNIC region
Cathy Wittbrot, VC	3	ARIN region
Dave Meyer	2	ARIN region
Raimundo Beca	1	ARIN region
Wilfried Woeber	3	RIPE region
Hans Petter Holen, C	2	RIPE region
Sabine Jaume	1	RIPE region

# Current Issues



- ⌘ Emerging RIR Criteria
- ⌘ Address block delegation from ICANN
- ⌘ Global Address Policy
- ⌘ ASO Internal Issues

# Emerging RIR Criteria

- ⌘ AfriNIC and LACNIC is almost ready
- ⌘ Not intended for strict rules of emerging RIR
- ⌘ Intended to help the ICANN board recognize emerging RIRs
- ⌘ Not intended for requirements to the current RIRs. But current RIRs are implicitly supposed to satisfy these requirements
- ⌘ Draft process so far
  - ☒ ver. 0.1 1999-12-22
  - ☒ ver. 0.2 2000-3-4
  - ☒ ver. 0.3 2000-??
  - ☒ Now it's the final stage.



# Criteria



## ⌘ Region of Coverage

- ☑ Fragmentation or Competition is not desirable in one region

## ⌘ Community Support

- ☑ Needs consensus for the whole regional support

## ⌘ Bottom-up Self Governance

## ⌘ Neutrality and Impartiality

## ⌘ Technical Expertise

## ⌘ Adherence to Global Policies

## ⌘ Activity Plan

## ⌘ Funding Model

## ⌘ Record Keeping

## ⌘ Confidentiality

# Address block delegation from IANA

⌘ Who is eligible for address allocations?

- ☑ Currently drafted and being discussed

- ☑ Basically Only RIRs.

- ☑ Experimental purposes?

⌘ How does IANA delegate address blocks to RIRs?

- ☑ Guideline needed

- ☑ will be drafted soon.

# Global Address Policy

- ⌘ Assignment rules (RFC2050) Revision
- ⌘ New policies
  - ☑ allocation policy
  - ☑ policy for each application such as CATV internet, web hosting, mobile network, etc.
- ⌘ What is “consistency” with local rules??
- ⌘ IPv6 Address Policy development

# IPv6 Address Policy



- ⌘ Current policy does not define some points such as end user assignment yet
- ⌘ After gaining more experiments, we will discuss and revise policies.

# ASO Internal Issues



⌘ internal procedure drafted

☑ Decision making was sometimes ad-hoc and sometimes delayed because procedure was not clear

⌘ Monthly tele-conference

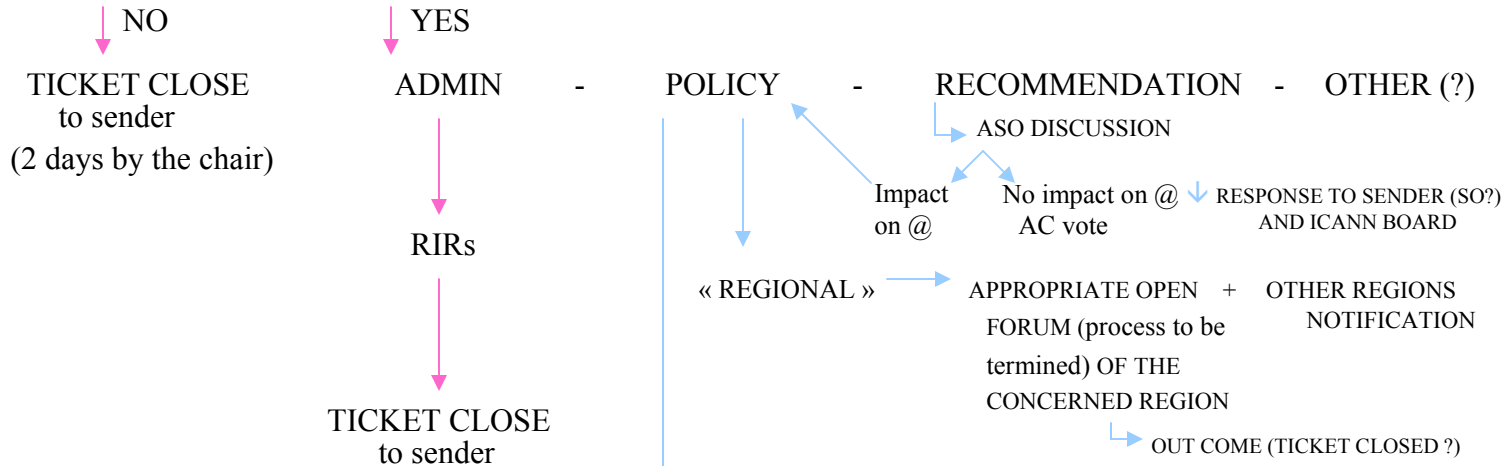
⌘ E-voting

# AC PROCEDURES

Requests : Board ICANN  
Public  
RIRs  
Individual  
AC members  
.....

★ TICKET OPEN & ACKNOWLEDGMENT SENT TO SENDER ( 2 days by the chair)  
+ AC-COORD LIST

⌚ AC discussion on FEASIBILITY & CLASSIFICATION (< 1 month)



⌚ PROCESS  
(minimum 90 days)

# Summary

- ⌘ Unlike domain name's case, it is practical and feasible for non-profit and independent registries to allocate address for the divided area.
- ⌘ ASO was created for global policy development/coordination
- ⌘ ASO is still young and now developing its own internal framework and tackling with some urgent issues.

# More Information



## ⌘ ASO Web Page

📄 <http://www.aso.icann.org/>

## ⌘ Mailing Lists

📄 [aso-announce@aso.icann.org](mailto:aso-announce@aso.icann.org)

📄 [aso-policy@aso.icann.org](mailto:aso-policy@aso.icann.org)

📄 [aso-comment@aso.icann.org](mailto:aso-comment@aso.icann.org)

📄 <http://www.aso.icann.org/lists/>